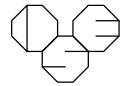
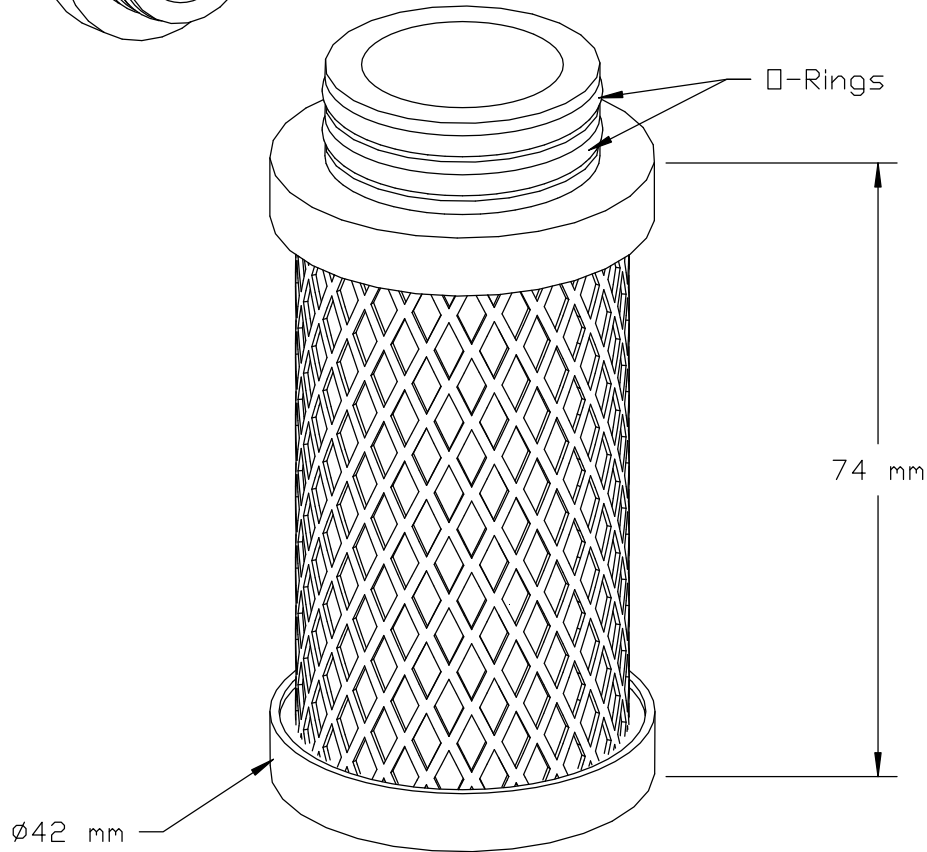
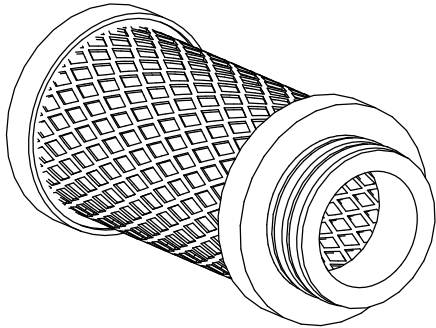


QTY.	PRODUCT	NEXT ASSY. DWG.	NO.	DESCRIPTION OF CHANGE	SCO#	DATE	BY
			0	NEW ISSUE		10/27/11	DSE
			1				
			2				
			3				
			4				

NO. 1C125716

SUPSDS.

Ultrair SMF 03/10 .01µm Silicon Free Sub-Micro Filter Element



ITEM#	QTY	PART NUMBER	DESCRIPTION
TOLERANCES UNLESS OTHERWISE SPECIFIED FRACTIONS ±1/64 DECIMALS .X ±.1 .XXX ±.005 ANGLES ±1/2° .XX ±.01 .XXX ±.005			THIS DOCUMENT IS THE PROPERTY OF RICHARDSON ELECTRONICS, LTD. AND SHALL NOT BE COPIED, REPRODUCED, USED IN THE MANUFACTURE OR SALE OF APPARATUS OR DISCLOSED TO OTHERS WITHOUT PERMISSION.
DO NOT SCALE DRAWING			Richardson Electronics, Ltd.
DRAWN	DSE	SCALE	NTS
ENG. MGR.		ENG. CHKD.	
ENG. MGR.		PRD. APPD.	
MAT'L			
MAT'L. SPEC. NO. FINISH —			NO. 1C125716 CHANGE —
PROD.			